

Operating Instructions SWISSPHONE RE629 Analog Pager TONE/ECO/VOICE/MEMO

Contents

Introduction....	2
Putting Into Operation	Error! Bookmark not defined.
Power supply	2
Inserting the battery	3
Automatic switch-on	3
Switching off	3
Switching on / keys	3
Selecting the functions	4
The Complete LC Display of Your Unit	5
RE629 "Voice" and "Memo" models	5
RE629 "Tone" and "Eco" models	5
Loud alert	6
Minibeep	6
Silent alert	6
Monitor (Only to models "Voice" and "Memo")	6
Volume (Only to models "Voice" and "Memo")	6
New message	6
Address display (Only to models "Voice" and "Memo")	7
Call retrieval	7
Message (Only to models "Voice" and "Memo")	7
Call Retrieval / Deletion	7
Call signalling	7
Field strength alarm (Only to models "Voice" and "Memo")	7
Alarm timer (Only to models "Voice" and "Memo")	8
Choosing profiles / channels (Only to models "Voice" and "Memo")	8
Battery status indicator	9
Battery / rechargeable battery recognition	9
General Information	10
Battery life	10
Battery low	10
Illumination	10
Port	10
Accessory devices	10
Customer Service	10

1 Introduction

We would like to congratulate you on your new receiver. In purchasing the new SWISSPHONE RE629 you have decided on a device of the highest quality. The SWISSPHONE RE629 is a convincing product thanks to the most effective combination of an attractive design, simplest of operation and highest of quality.

These operating instructions provide you with information on how to get the most from your device. Always keep them readily to hand. The SWISSPHONE RE629 pager can be configured for the particular application. For this reason, it is possible that functions described in these operating instructions may not be available on your device. We hope you will enjoy reading through these operating instructions and using the SWISSPHONE RE629 pager.

Legend:

((i)) Special information on additional and useful functions.

((!)) WARNING / IMPORTANT INFORMATION

- **Do not operate this product in hazardous atmosphere or explosion risk areas!**
- **Do not open device or remove labels!**

This device complies with Part 15 of the FCC Rules.
Operation is subject to the following two conditions:

- 1) This device may not cause harmful interference, and
- 2) This device must accept any interference received, including interference that may cause undesired operation.

((!)) WARNING - Changes or modifications not expressly approved by the party responsible for compliance could void the user's authority to operate the equipment.

The device complies with the regulations of the R&TTE European Directive (99/05/EU). You will find a copy of the certificate of conformity on our website www.swissphone.com.

Commissioning

Power supply

The following power sources of the size AA, or., L6, or AM3 (Mignon) can be used:
- Alkaline: leak-proof alkaline-dry batteries.

((!)) WARNING: Alkaline batteries should not be charged or re-charged. Danger of explosion!

- Re-chargeable batteries, either nickel cadmium or nickel metal hydride. For safety reasons, to re-charge use a charger from the original Swissphone range of accessories.

((!)) WARNING: Do not dispose of batteries and re-chargeable batteries in fire. Risk of explosion!

((!)) WARNING: Keep batteries out of reach of children under 3 years old

The Swissphone RE629 receiver is automatically switched on when the battery is inserted. A test is done whilst all loads in the device are activated temporarily. The device then is ready to receive messages.

((i)) NB:

For optimal indication of the battery or re-chargeable battery levels, the type of re-chargeable battery installed has to be set using the operation in the device (see chapter: "Selecting the type of re-chargeable battery"). The indication will be shown correctly after at least one full charge-/re-charge cycle.

Die Anzeige stimmt erst nach einem vollständigen Entlade/Ladezyklus genau.

Inserting the battery

To insert the battery, proceed as follows:

- 1) Open the battery compartment by pressing down the tongue into the rear panel and pulling out the battery cover sideways. If necessary, use a coin as a tool.
- 2) When inserting the battery, please observe the correct polarity and the marking of the cells. Insert the supply source with the negative pole (-) leading, so that the spiral spring is slightly compressed, and then simply lay the battery into the battery compartment.
- 3) Replace the battery cover and push it in until the tongue latches into the rear panel of the housing.

Automatic switch-on

After inserting the battery in the battery compartment, the receiver switches on automatically. A self-test of the LED, the display and the vibrator is started, and is completed by a control sound (beep).

The receiver is switched on and its operational status can be read from the display.

The battery status indicator shows the approximate energy level of the power source.

((i)) If a self-test does not take place, check the polarity of the power source, or place the pager into a charger. Various charging units are available (LG Standard, LGRA Professional, ALGRA Professional).

Switching off

Switch off your receiver by *simultaneously* pressing the keys **SELECT**(1) and **EXECUTE**(2) for about 4 seconds. In the display the frame of the battery symbol flashes and an clicking sound can be heard until the Display is cleared. The pager is now switched off.

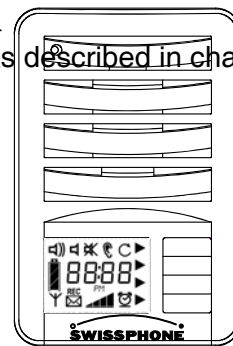
Switching on / keys

If the receiver is switched off, you can switch on the pager operation by *simultaneously* pressing both operating keys **SELECT**(1) and **EXECUTE**(2).

A self-test takes place every time the unit is switched on as described in chapter "automatic switch-on".

The following check pattern is briefly displayed:

1. Optical display of all symbols in the display.
2. Control beeps
3. The LED lights up
4. Short-term vibration



Selecting the functions

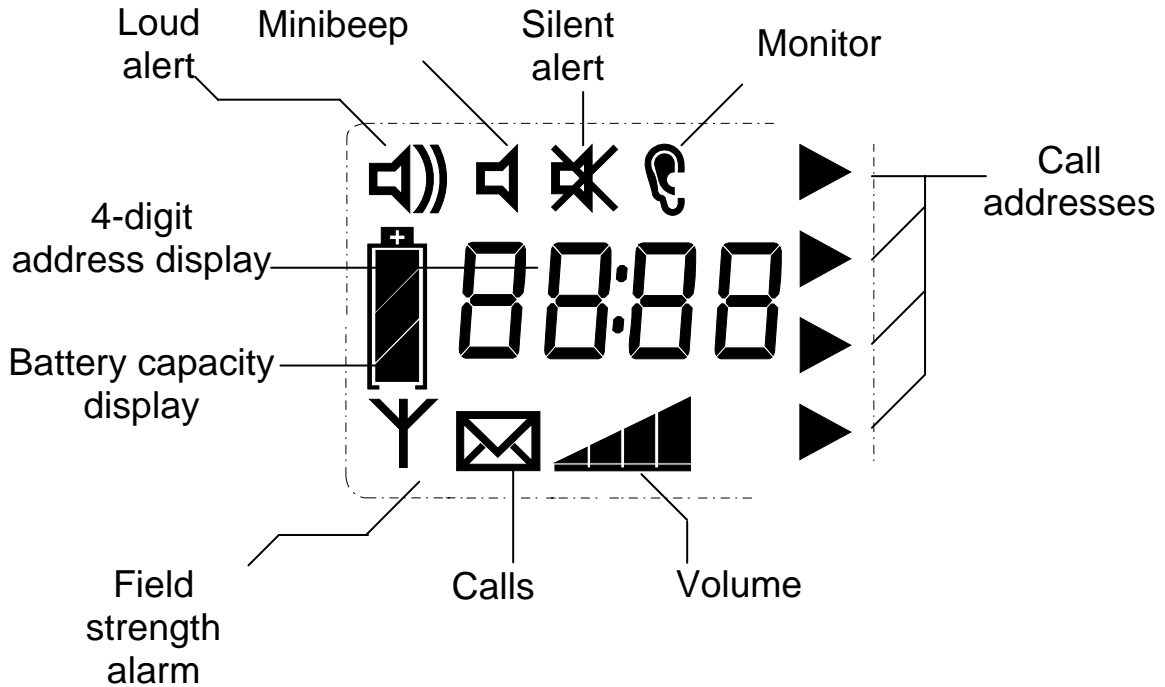
The operation of the unit is very simple, ergonomic and is designed for a high level of operational security. The keys are located in the upper left and right corners of the unit. The left-hand key is **SELECT**(1) and it allows you to move through the various functions. The right-hand key is **EXECUTE**(2) and is used to confirm the selection.

Use the left-hand key (1) to select the desired operational function. The symbol begins to flash. Using the right-hand key, the desired operational function can be acknowledged, and the symbol ceases to flash in the display.

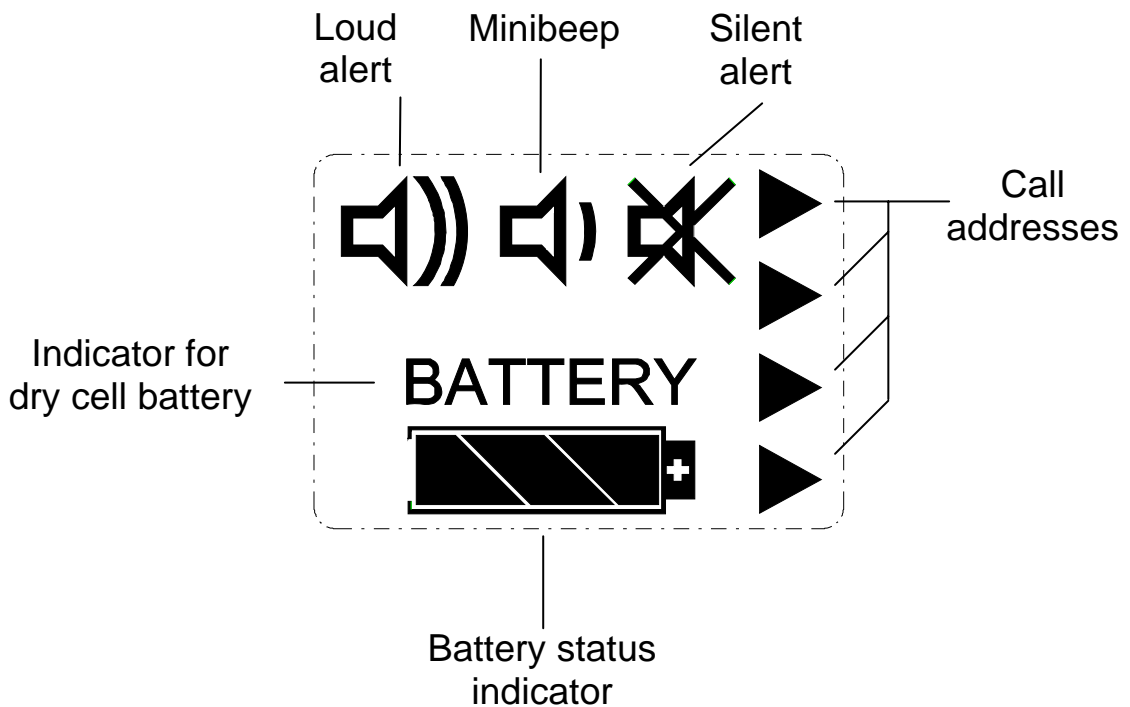
((i)) The number of functions and symbol selection sequence can be individually defined using the programming device.

Display

RE629 "Voice" and "Memo" models



RE629 "Tone" and "Eco" models



Loud alert



Incoming calls are signalled simultaneously with a call signal and a vibration. In addition, the LED in the upper left corner starts flashing. Following these signals, you will hear the spoken announcement via the loudspeaker (not applicable to the "Tone" model).

Minibeep



Incoming calls are first indicated by the vibrator, and then with short beep tones. The LED in the upper left corner also flashes. Following these signals, you will hear the spoken announcement (not applicable to the "Tone" model).

Silent alert



Incoming calls are signalled only by the vibrator. There is no acoustic alarm, and no spoken announcement is heard.

Monitor (Only applicable to the "Voice" and "Memo" models)



In this operational mode, you can hear everything that is spoken over the set radio channel. Calls addressed to you will be signalled "acoustically". If you wish to switch off the continuous monitoring / listening operation, select one of the acoustic symbols with key (1), and confirm this with key (2).

((i)) Remark

Pagers with the voice memory (Memo) will always record the spoken message when the programming of the voice memory has been assigned to the appropriate address and the alarm type has been set to "Voice" or "Tone & Voice" status. In monitor mode, a spoken message will only be recorded if the proper address has been activated. Via programming, the voice memory can be assigned either a fixed or dynamic mode. The total recording time can be set to 8x30, 6x40, 4x60, 3x80 or 2x120 sec. Please find more information in the Programming Manual.

Volume (only applicable to "Voice" and "Memo" models)



The volume for voice messages can be set to one of 4 levels. The volume of the call signal is not affected by this parameter. With key (1), select the volume symbol. Using key (2), you can now select the desired levels 1, 2, 3 or 4, which you can then acknowledge with key (1). Level 1 is the quietest and Level 4 the loudest. Level 3 corresponds to the nominal volume.

New message



Incoming calls can be signalled via the loudspeaker and the vibrator together, depending on the operational mode. In addition to the complete alerting, you can also listen directly to the incoming voice message (not applicable to the "Tone" model). Depending on the transmission type, several seconds may elapse between the wake tone and the voice message. During this period, no commands can be issued to the receiver. After the voice message plays, the LED (light display) in the upper left corner also blinks.

In the display, you will see the names, the address (only "Voice" and "Memo") and an arrow indicates one of the 4 display fields. At a glance, you see which alarm address was triggered.

If an occupied address or call is not acknowledged, then a reminder call will periodically be issued (at pre-set time intervals). This can either be indicated

acoustically or optically or both.

Address display (only applicable to "Voice" and "Memo" models)

This 4-digit, 7-segment display serves as a display for address as well as for other purposes. These freely programmable address designators can be assigned to the addresses of the pager. The designators will appear during the alerting of the address and during retrieval of the call. They also show the active profile's name when the RE629 goes into idle state (if programmed).

Call retrieval

Press the **EXECUTE** key (2) to switch into call retrieval mode. When this is done, the last message received is shown first, the oldest is shown last. The address name is shown in the display during the playback/retrieval. The "Memo" model pager will also play back the recorded message (only applicable by "Voice" and "Memo" models).

Message (only applicable by "Memo" model)

You can play the last message recorded in memory by selecting the "Message" symbol (using the **SELECT** key 1), then confirm the selection with the **EXECUTE** key (2).



Call Retrieval / Deletion

Briefly press the **EXECUTE** key (2) and the address arrow of the last message received will begin to flash for about 3 seconds. Simultaneously, the LED display in the upper left corner shows the appropriate address pattern and the address. To delete an alarm, press key (2) while the address arrow is flashing. The alarm is displayed. The last received but already deleted alert remains stored in the background and its address arrow and address display can still be called up with key (2) until you switch off the unit.

Call signalling

Each of the call addresses can have its own distinguishing signal pattern. You can define the pattern yourself through the programming software and it can last up to a maximum of 30 seconds.

Field strength alarm (only applicable to "Voice" and "Memo" models)

Only for radio networks with cyclical transmission (carrier keying)

This function can be run in two version(to program in the PSW):



Either the symbol appears after the programmed time if no field is detected any more, or in the other programmed case the symbol is disappearing if no field is detected any more. You have the option of switching the acoustic field strength alarm off completely (if programmed with the PSW). Select the menu symbol Field Strength using key (1). The symbol starts to flash and the current state (ON or OFF) is displayed. To change the state, press the **EXECUTE** key (2).

Alarm timer (only applicable to "Voice" and "Memo" models)

If the alarm timer function is activated through the programming software, then the time passed since the last alarm was received is displayed on the LCD. The LED and the address arrow flash. The alarm timer is reset by acknowledging the alarm.



On the right side, both 7-segment character places will count the seconds. While during this, the seconds will flash during each change. The flashing separates the seconds display from the 7-segment LED on the left, which counts the minutes. A total of 60 minutes (59:59) can be shown on the display in this mode.

2:15 After 60 minutes have passed, the time will only be displayed in hours and minutes. The arrow and LED continue to flash.

The time is not displayed anymore once the counter overflows (when min. > 12 hours), only the LED for incoming calls flashes now.

Choosing profiles / channels (only applicable to "Voice" and "Memo" models)

Push the SELECT key (1) until the 4-digit, 7-segment character display flashes. Then enter the Profile Setting with the EXECUTE key (2). The first profile is now shown (the first channel). You may switch between the pre-set profiles by pushing the **EXECUTE** key (channels).

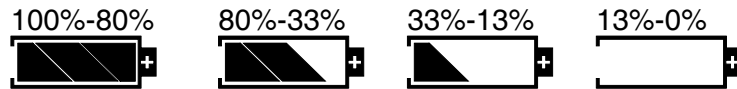
If the desired profile is shown, pressing the **SELECT** key (1) gives you the option to activate an extra profile. The extra profile is activated when \bar{E} is shown and deactivated when - is shown.

If the desired channel is shown, confirm your selection by pressing the **SELECT** key (1). In idle state, the receiver always displays the active profile or the active reception channel.

1.1 Battery status indicator



When the pager is switched on, the battery icon is always visible on the display and indicates the amount of energy still available. The operating period is approx. 75 - 150 hours depending on the programmed operating mode and the power supply source. When the energy source is completely exhausted, the empty battery symbol flashes continuously. If "Loud alert" is activated, a regular clicking sound is simultaneously audible. In this condition, an operating time of at least 3 - 5 hours is still available.



1.2 Battery / rechargeable battery recognition

After a new energy source is inserted, the pager always detects whether it is a rechargeable battery or a dry cell battery. This switch-on procedure with self-test is only possible when the voltage of the battery or rechargeable battery is higher than 1.24 V. The information relating to battery or rechargeable battery detection is then saved in the pager. When operated with rechargeable battery, the LC display indicates the type of rechargeable battery (ni Cd, ni Hd). If a dry cell battery is detected, then bRtE is displayed.

To prevent charging of a battery in the charging unit (CU), the receiver displays bRtE for 3 seconds.

((i)) Note:

If the newly inserted energy source (dry cell battery or rechargeable battery) is deeply discharged, the recognition will first be carried out after charging for 10 minutes. If a rechargeable battery is detected, then charging is continued. If a dry cell battery is detected, then charging is stopped immediately.

General Information

Battery life

75 - 150 hours depending on the battery type and the programmed operating mode.

Battery low

A weak dry cell battery/rechargeable battery can be recognised by the empty battery symbol. It should be replaced/charged as soon as possible.

((i)) Note: Please only use batteries recommended by the manufacturer.

Illumination

Background illumination for the LCD, which is switched on with every key switch, enables you to read the operational status of your unit in the dark.

Interface Port

For the connection of various accessory devices, e.g. battery charger, programming kit.

Accessory devices

LG Standard charging unit: Economical, intelligent charging unit

ALG Standard charging unit: Economical, intelligent charging unit for use in 12V vehicle electrical systems

LGRA Professional: Rugged, intelligent charging unit with aerial connection and relay output

ALGRA Professional: Rugged, intelligent charging unit with aerial connection and relay output for use in 12V vehicle electrical systems.

PG Professional: Programming attachment

Customer Service

With this device purchase, you have acquired a high-quality product. If, however, despite adherence to these instructions, an operational problem arises, please contact your specialist dealer directly or send the device back to us in its original packaging.