

DYNAMax™ COMPACT SPEAKER



Federal Signal's DynaMax™ speaker is the "slim fit" for today's vehicles.

Federal Signal's DynaMax™ speaker is the most revolutionary compact speaker on the market today.

Just 2-5/8 inches deep, the DynaMax speaker is the slimmest 100-watt speaker available. Its unique, patented design allows it to be installed in many locations on emergency vehicles, including on the bumper, behind the grille, or flush mounted between the bumper and hose tray.

DynaMax speakers are built to withstand the toughest conditions. They are fully encapsulated, so no terminals are exposed.

Another key feature of this unique speaker is its versatility. One speaker model can be used on your apparatus, your ambulances, and your light fleet (sedans, etc.). This means simplified ordering and inventory.

Using ground-breaking technology, the DynaMax speaker is exceptionally durable. The solid aluminum construction incorporates the driver and projector into the housing, allowing the speaker to operate at a cooler temperature and run more efficiently than conventional speakers.

The MS100 has various mount kits to fit your apparatus needs.



*Flush mount,
MSFMT*



*Flush mount with grille,
MSMFT-EF*



*Bumper mount,
MSBMT*

QUICK REFERENCE

FEATURES

- 100-watt power.
- Slim and lightweight.
- Easy to install and maintain.
- Can be used on apparatus, ambulances, and light fleet.
- Durable and reliable.

APPLICATIONS

- Behind the grille of most vehicles
- Flush mount between bumper and hose tray
- Bumper mount on ambulances and rescue vehicles

REPLACEMENT PARTS

- Bail Bracket Z8567077A
- "Electric F" Grille Z8567102A

RELATED PRODUCTS

- e-Q2B Electronic Siren
Bulletin #5107
- PA300 Electronic Siren
Bulletin #5102
- PA4000 Electronic Siren
Bulletin #5101
- SmartSiren® Electronic Siren/
Control Systems
Bulletin #5113
- MS4000 Mini-Siren
Bulletin #5112

HOW TO ORDER

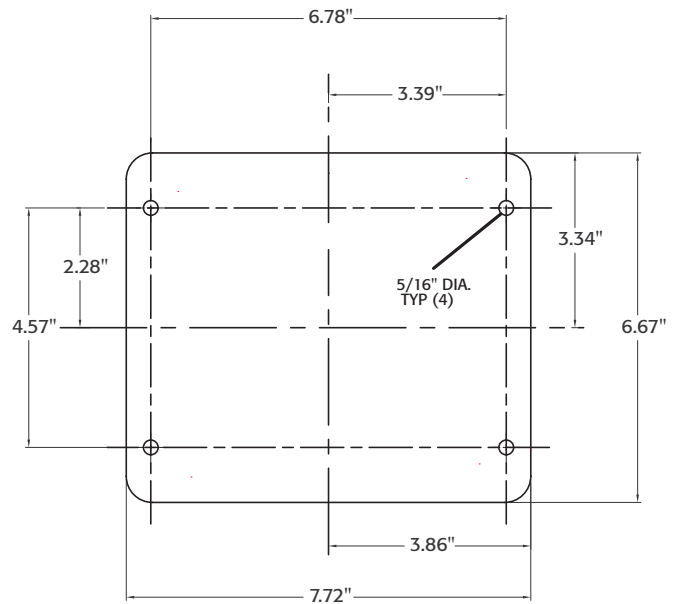
1. Specify model.

- MS100** 100-watt compact speaker
- MS100-01** DynaMax with standard bail bracket
- MS100-02** DynaMax for '95-'97 Ford Crown Victoria
- MS100-03** DynaMax for '95-'00 Chevy Lumina
- MS100-04** DynaMax for '98-'01 Ford Crown Victoria
- MS100-05** DynaMax for '98-'02 Ford Explorer and '98-'01 Expedition
- MS100-06** DynaMax for '96-'00 Chevy Tahoe
- MS100-07** DynaMax for '00-'01 Chevy Impala

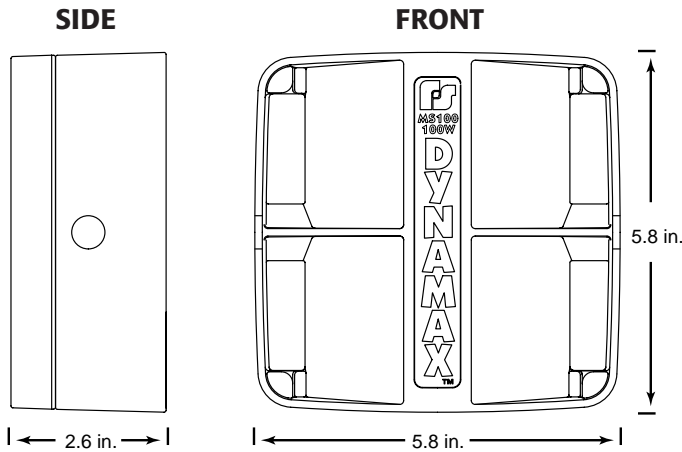
2. Choose a mount kit (if necessary).

- MSBMT** Bumper mount kit
- MSFMT** Flush mount kit
- MSFMT-EF** Flush mount bracket with polished stainless steel "Electric F" grille

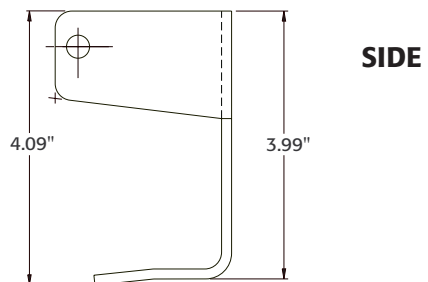
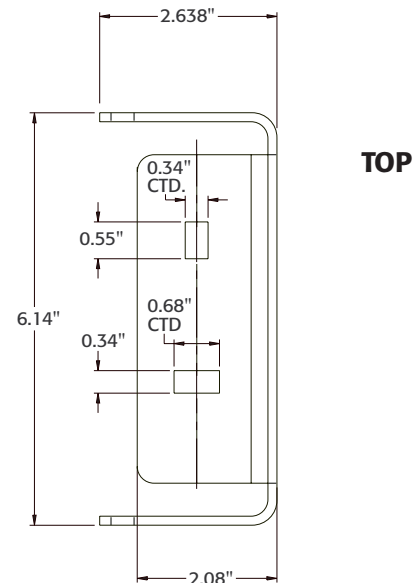
MSFMT/MSMFT-EF Mounting Diagram



Dimensional Diagrams



MSBMT Mounting Diagram



FACTORY SET SPECIFICATIONS

Model	Input Voltage	Power (watts)	Sound Output	Impedance
MS100	32VRMS	100	SAE J1849 CCR Title 13	11 ohms

DIMENSIONS

Model	Height in. cm.	Width in. cm.	Depth in. cm.	Ship. Weight lbs. kg.
MS100	5.8 14.7	5.8 14.7	2.6 6.6	5.5 7.1

Warning: Sirens and Speakers may produce LOUD sounds necessary to request the right-of-way. Siren and Speakers may cause hearing damage. Wear hearing protection.

DynaMax and SmartSiren are trademarks of Federal Signal Corporation.

©2003 Federal Signal Corporation

FEDERAL SIGNAL CORPORATION
Emergency Products

An ISO 9001 Certified Supplier
2645 Federal Signal Drive, University Park, IL 60466-3195
Tel.: (800) 264-3578 • Fax: (800) 682-8022
Web: www.fedsig.com